

TECNICAL DETAILS	
Tolerance on capacitance	-5 % ÷ +10 %
Rated voltage (Un)	230 – 400 – 415 – 440 – 480 – 525 - 690 V
Rated frequency	50 Hz (60 Hz on request)
Temperature class	-25 ° C / +55 ° C
Dielectric losses	≤ 0,2 W/kvar
Total losses (at the terminals)	≤ 0,5 W/kvar
Insulation level	3/15kV Ue ≤ 660 Vac
Max. permitted current	1,5 In
Maximum peak value of the current transient	≤ 200 In
Voltage test between the terminals	2,15 Un for 2''
Voltage test between the terminals and container	3,6 KV per 10''
Discharge resistors	External (reduction to 75 V within 3 min)
Terminals	Terminal block / Screw terminals
Service	Continuous
Installation	Indoor
Cooling	Natural or forced air
Max permissible humidity	80 %
Altitude	≤ 2000 (m a.s.l.)
Degree of protection	IP20 / IP00
Expected life	>130.000 h (classe D) - >150.000 h (classe C)
Service	Continuous
Fixing	With M12 spigot in any position
Reference standards	CEI EN 60831-1/2, IEC 60831- 1/2
Number of switching operation	Max 5000 switchings per year according to IEC 60831-1

Rated Power, Qn kvar	Capacitance, 3x Cn, uF	Rated Current, I _{rms} (50Hz), A ⁽¹⁾	Dimensions, mm ⁽²⁾		Code	Pcs/Box
			D	H		
Rated voltage Urms = 230 VAC, f_n = 50Hz, Delta Connection, with external discharge resistor⁽³⁾						
5	3x 100,3	12,5	85	238	CMA423005	12
7,5	3x 150,3	18,8	85	238	CMA423075	12
10	3x 200,6	25,1	100	238	CMA423010	15
12,5	3x 250,7	31,4	100	285	CMA4230125	15
Rated voltage Urms = 400 VAC, f_n = 50Hz, Delta Connection, with external discharge resistor⁽³⁾						
5	3x 33,3	7,2	75	163	CMA440005	12
7,5	3x 49,7	10,8	75	163	CMA440075	12
10	3x 66,3	14,4	75	201	CMA440010	12
12,5	3x 82,9	18	75	238	CMA440125	12
15	3x 99,5	21,6	85	201	CMA440015	12
20	3x 132,6	28,9	85	238	CMA440020	12
25	3x 165,8	36,1	100	238	CMA440025	15
30	3x 199	43,3	100	276	CMA440030	15
40	3x 266,6	57,8	120	238	CMA440040	6
50	3x 331,7	72,2	120	280	CMA440050	6
Rated voltage Urms = 415 VAC, f_n = 50Hz, Delta Connection, with external discharge resistor⁽³⁾						
5	3x 30,8	7,0	75	163	CMA441505	12
7,5	3x 46,2	10,4	75	163	CMA441575	12
10	3x 61,6	13,9	75	201	CMA441510	12
12,5	3x 77,0	17,4	75	238	CMA441512	12
15	3x 92,4	20,9	85	201	CMA441515	12
20	3x 123,3	27,8	85	238	CMA441520	12
25	3x 154,0	34,8	100	238	CMA441525	15
30	3x 184,9	41,8	100	276	CMA441530	15
40	3x 246,5	55,7	120	238	CMA441540	6
50	3x 308,2	69,6	120	280	CMA441550	6
Rated AC voltage Urms = 440 VAC, f_n = 50Hz, Delta Connection, with external discharge resistor⁽³⁾						
5	3x 27,4	6,6	75	163	CMA444005	12
7,5	3x 41,0	9,8	75	163	CMA444075	12
10	3x 54,8	13,1	75	201	CMA444010	12
12,5	3x 68,5	16,4	75	238	CMA444125	12
15	3x 82,2	19,7	85	238	CMA444015	12
20	3x 109,6	26,3	85	238	CMA444020	12
25	3x 137,0	32,8	100	238	CMA444025	15
30	3x 164,0	39,4	100	238	CMA444030	15
40	3x 219,3	52,5	120	238	CMA444040	6
50	3x 274,1	65,7	120	238	CMA444050	6
Rated AC voltage Urms = 480 VAC, f_n = 50Hz, Delta Connection, with external discharge resistor⁽¹⁾						
5	3x 23,0	6,0	75	163	CMA448005	12
10	3x 46,0	12,0	75	163	CMA448010	12
12,5	3x 57,6	15,0	75	238	CMA448125	12
15	3x 69,1	18,0	75	238	CMA448015	12
20	3x 92,1	24,0	85	238	CMA448020	12
25	3x 115,2	30,1	100	238	CMA448025	15

Rated Power, Qn kvar	Capacitance, 3x Cn, uF	Rated Current, Irms (50Hz), ⁽¹⁾ A	Dimensions, mm ⁽²⁾		Code	Pcs/Box
			D	H		
Rated AC voltage Urms = 525 VAC, f _n = 50Hz, Delta Connection, with external discharge resistor ⁽³⁾						
5	3x 19,2	5,5	75	163	CMA452505	12
7,5	3x 28,9	8,3	75	163	CMA452575	12
10	3x 38,5	11,0	75	201	CMA452510	12
12,5	3x 48,1	13,7	75	238	CMA4525125	12
15	3x 57,7	16,5	85	238	CMA452515	12
20	3x 77,0	22,0	100	238	CMA452520	12
25	3x 96,2	27,5	100	238	CMA452525	15
37,1	3x 143,0	40,8	100	276	CMA452537	15

Remarks:

1) Rated current is present for frequency 50 Hz. Please contact with us if capacitors intended for another frequencies.

Total capacitors rated current, including harmonics currents for filtering capacitors with terminal block must be not exceeded 45 A.

2) Capacitors dimensions: D - capacitor diameter, H - capacitor high (without terminals).

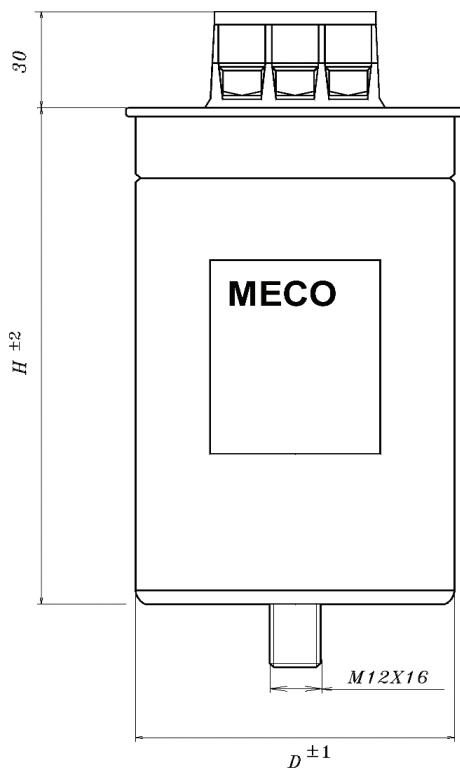
Capacitors with diameters D = 75...100 mm produce with stermlinal blocks 3 x 16 mm².

Capacitors with diameter D = 120 mm produce with screw terminals 3 x M10 (IP00).

3) Capacitance, voltage and frequency standard value, other values on request by small batches.

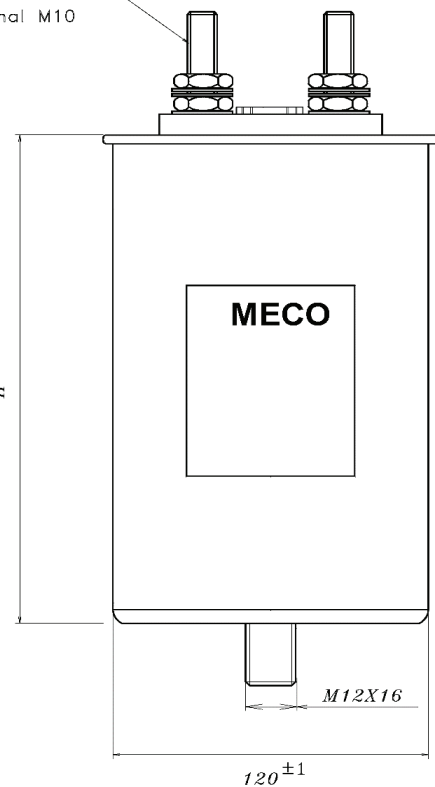
For more information please contact us.

4) On request capacitors at 690 VAC are available.



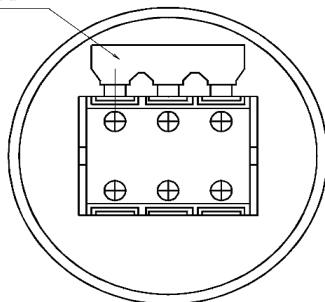
Terminale a vite M10

Screw terminal M10



Resistenza di scarica

Discharge resistor



Resistenza di scarica

Discharge resistor

