

ALFASOCKET

DIN RAIL SOCKET

For mounting on 35 mm DIN rail. Wire connections on terminals. It provides a power supply for electrical tools or instruments during installation, operation and maintenance. Available in five different national standards and in two basic versions: without and with limiting fuse 6.3A.



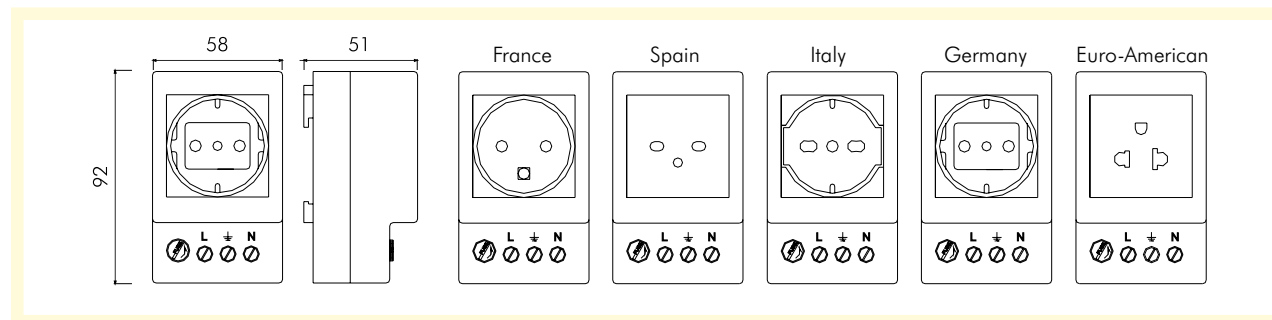
Features	Unit	ALFASOCKET01	ALFASOCKET02	ALFASOCKET03	ALFASOCKET04	ALFASOCKET05
Standard	-	Germany	Italy	France	Euro-American	Spain
Voltage	V	250	250	250	125	250
Max current	A	16	16	16	16	16
Electrical connections	-	3-pole terminal for 2.5 mm ² wire				
Casing	-	ABS, UL94 V0 self-extinguishing, light grey RAL 7035				
Protection degree	-	IP20				
Protection class	-	Class I				
Operating temperature	-	-25/+60 (-13/+140)				
Storage temperature	°C (°F)	-45/+60 (-49/+140)				
Mounting	-	Clip for mounting on DIN rail 35 mm EN50022				
Conformity	-	CE				
Dimensions HxWxD	mm	92x57x51				
Weight	g	105				

Versions

with fuse 6.3 A	ALFASOCKET01F	ALFASOCKET02F	ALFASOCKET03F	ALFASOCKET04F	ALFASOCKET05F

Accessories

GUIDADINPL	GUIDADINPL	GUIDADINPL	GUIDADINPL	GUIDADINPL



ael-cat-en-03.10



ALFAPRSCH



DIN RAIL SOCKET

Cost-effective Schuko socket for DIN rail mounting.

Features	Unit	PRSCH01	PRSCH03
Type	-	schuko	two-pin + schuko
Rated voltage, max	V	250	250
Maximum current	A	16	10/16
Dimensions HxWxD	mm	70x53x60	70x53x60
Weight	kg	0.04	0.04
Conformity	-	CE	CE

ALFATASC



WIRING DIAGRAM HOLDER

Suitable for holding documents max. A4 format (297x210 mm).

Clean carefully the mounting surface and wait at least 12 hr. before loading.

Features	Unit	
Material	-	ABS
Color	-	RAL 7032 or 7035
Fixing	-	bi-adhesive tape
Dimensions HxWxD	mm	264x235x35
Weight	kg	0.185
Conformity	-	CE

PRESSCOMP



PRESSURE EQUALIZER

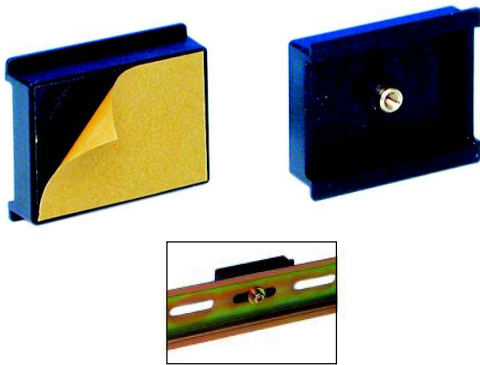
Sealed enclosures when subject to external temperature fluctuations develop pressure differential toward the ambient. As a consequence entrance of dust and/or humidity is likely to happen through leakage points. Installing a PRESSCOMP prevents this risk while preserving a high protection degree for the enclosure.

Features	Unit	
Material	-	ABS self-extinguishing RAL 7035
Protection degree	-	IP45
Fixing	-	screws with rubber gasket
Dimensions HxWxD	mm	70x50x21
Weight	kg	0.022
Conformity	-	CE

ACCESSORIES



GUIDADINPL



FIXING DEVICE

A practical solution for mounting small devices or DIN 35 mm rail without the necessity of drilling holes on the cabinet. The double-sided adhesive band can bear a continuous load of 0,5 kg. Before fixing, clean carefully the mounting surface and wait at least 24hr before loading.

Features	Unit	
Material	-	ABS self-extinguishing Black
Maximum load	kg	0.5
Application temperature	°C	+10 min.
Operating temperature	°C	-30 +70
Mounting surfaces	-	all, except poly-ethylene, poly-propylene and rubber
Dimensions HxWxD	mm	42x36x11
Weight	kg	0.015
Conformity	-	CE

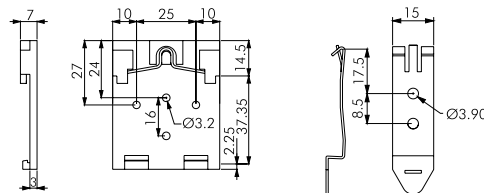
CLIP



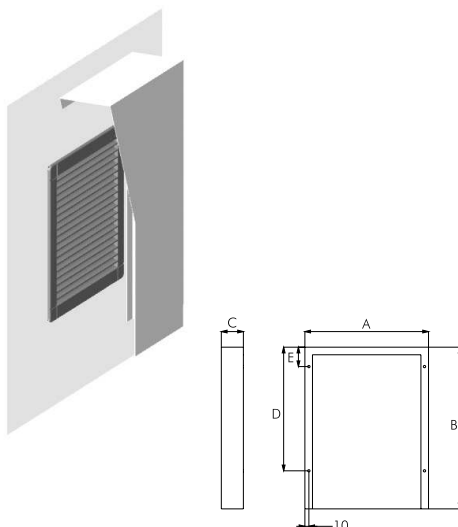
CLIP

Practical solution to mount devices on 35mm DIN rail. CLIP can be joined to the device by screw or rivet.

Features	Unit	CLIPP	CLIPM
Material	-	Polycarbonate	Steel
Mounting (on device)	-	Rivet or screw	
Operating temperature	°C	100°	200°
Conformity	-	CE	



CUFF



CUFF

Hoods for increased protection degree on filter fans and air filters.

They allow to achieve IP55 according to EN60529/10.91

Features	Unit	CUFF10	CUFF20	CUFF30	
Dimensions	A	mm	195	325	410
	B	mm	255	425	540
	C	mm	55	60	110
	D	mm	50	100	100
	E	mm	30	50	50
Material	-	Painted steel sheet			
Color	-	RAL 7035			
Mounting	-	4 screws M6			
Weight	Kg	0.8	1.9	3.3	
Conformity/Certifications	-	CE			
For use on	-	ALFAA, ALFA1000	ALFAB, ALFA2000	ALFA 3000	