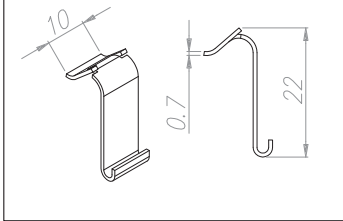
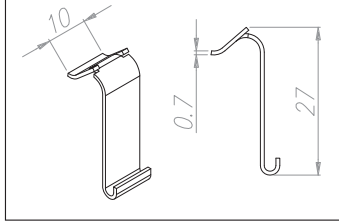


CLIPS FOR ASSEMBLY ELECTRONIC COMPONENTS ON HEATSINKS SERIES A---N-M

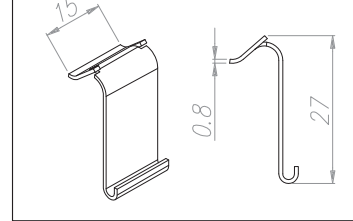
CLIP AN221007



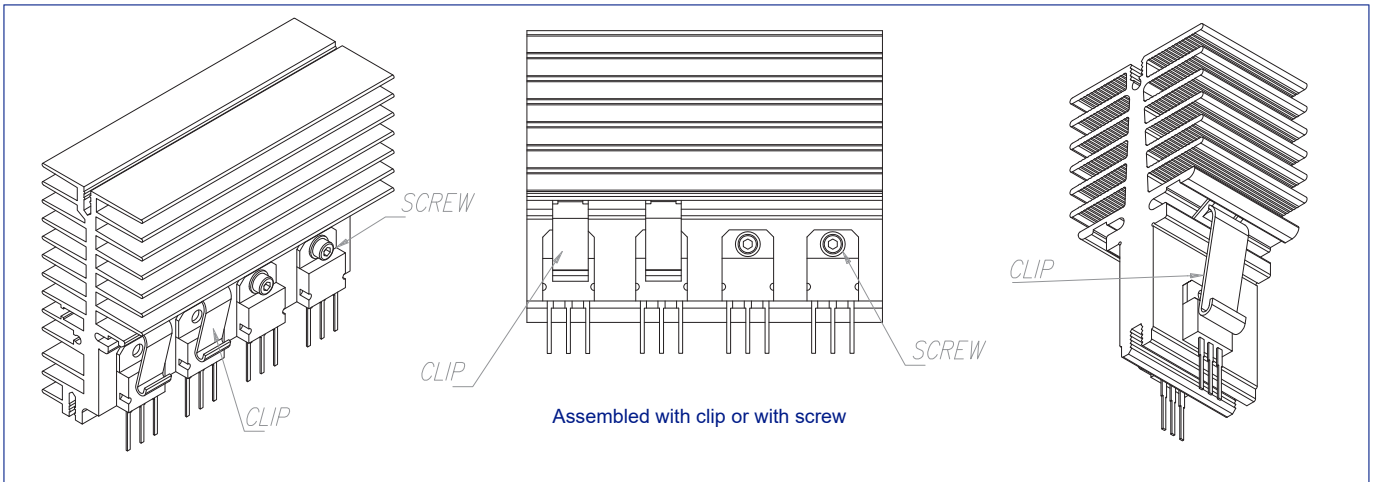
CLIP AN271007



CLIP AN271508



**A**



**B**

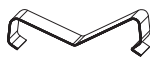
CLIPS FOR ASSEMBLY ELECTRONIC COMPONENTS ON STANDARD HEATSINKS

SPRING CLIP TEN13



Material: Stainless Steel

SPRING CLIP TEAN35



Material: Stainless Steel

SPRING CLIP TEAN35A



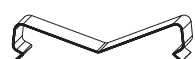
Material: Nickel Plated Spring Steel

SPRING CLIP TEAN40



Material: Nickel Plated Spring Steel

SPRING CLIP TEAN45

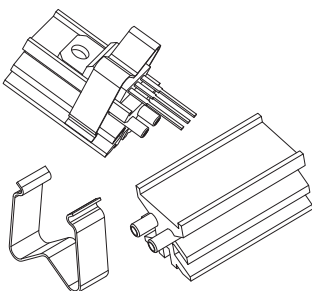


Material: Stainless Steel

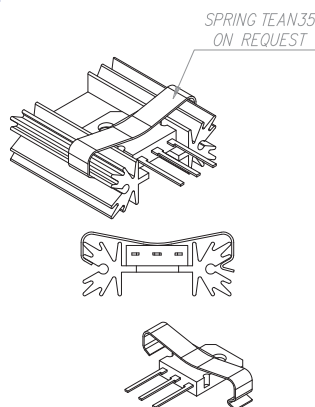
**C**

CLIPS: EXAMPLES OF USING

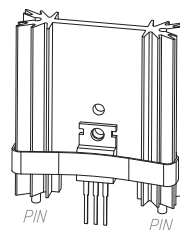
HEATSINK ST-TEN13



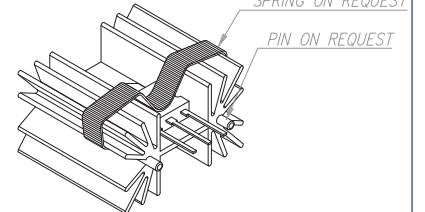
HEATSINK ST-TEAN35



HEATSINK ST-TEAN45



HEATSINK ST-TEAN40



**D**