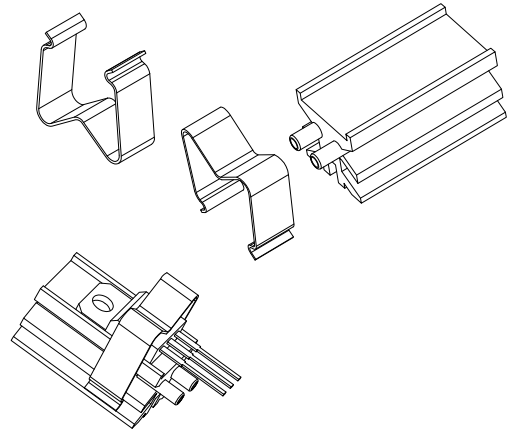
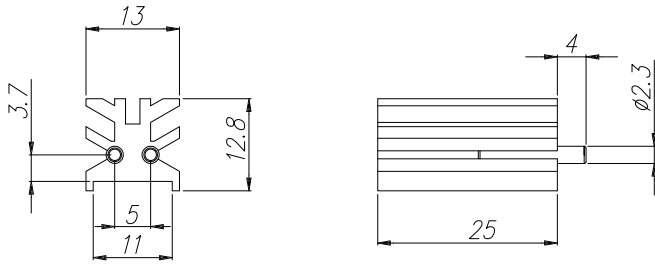


ST - TEN13/25N

Rt °C/W 25

Aluminium, black anodized
Other dimensions on request

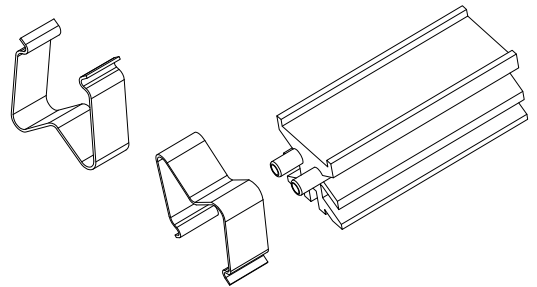
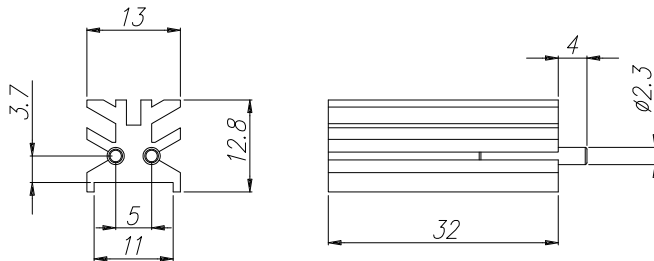


A

ST - TEN13/32N

Rt °C/W 21

Aluminium, black anodized
Other dimensions on request



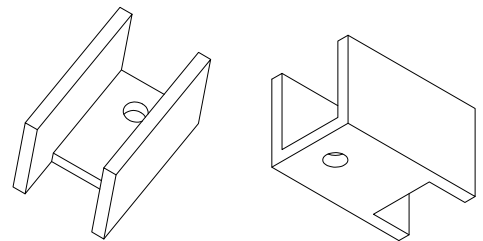
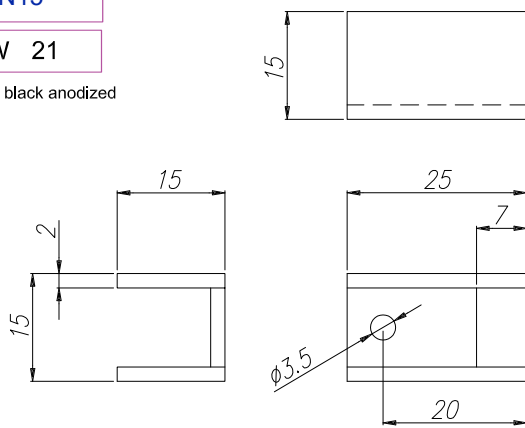
ONLY ON REQUEST

B

ST - TEN15

Rt °C/W 21

Aluminium, black anodized

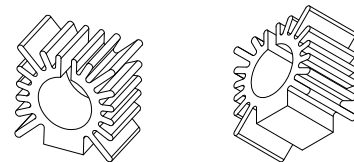
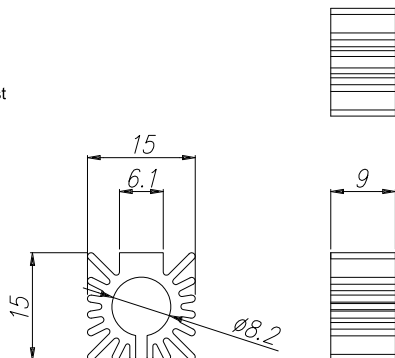


C

ST - TEN19

Rt °C/W 55

Aluminium, black anodized
Other dimensions on request



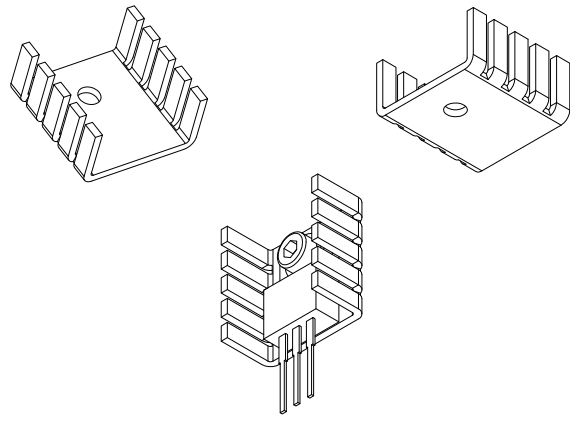
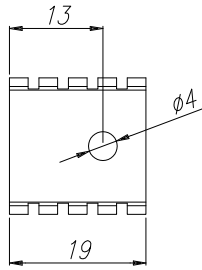
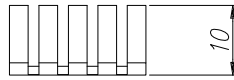
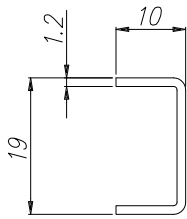
D

ST - TEEN19

Rt °C/W 55

Aluminium, black anodized

A

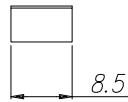
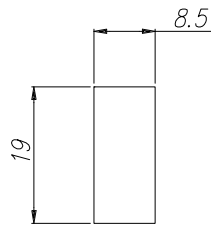
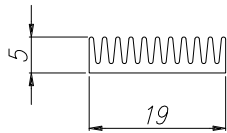


ST - KEN19/8.5

Rt °C/W 81

Aluminium, black anodized
Other dimensions on request

B

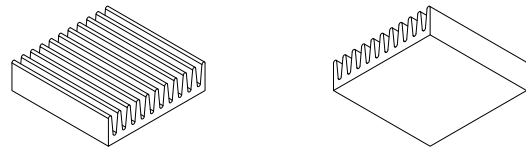
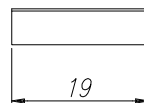
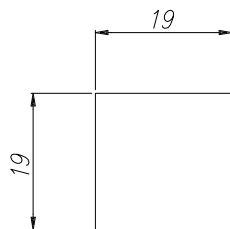
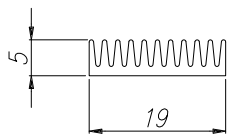


ST - KEN19/19

Rt °C/W 46

Aluminium, black anodized
Other dimensions on request

C

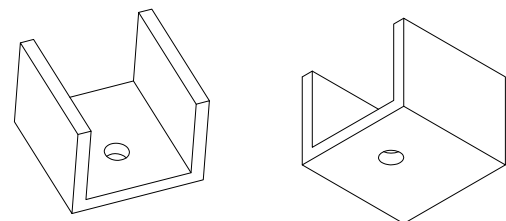
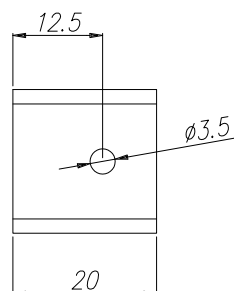
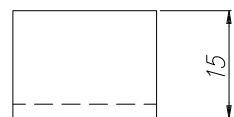
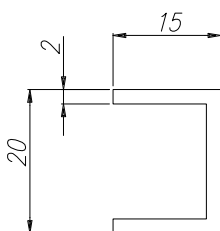


ST - TEN20

Rt °C/W 21

Aluminium, black anodized

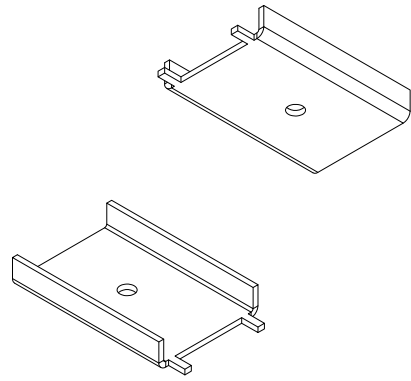
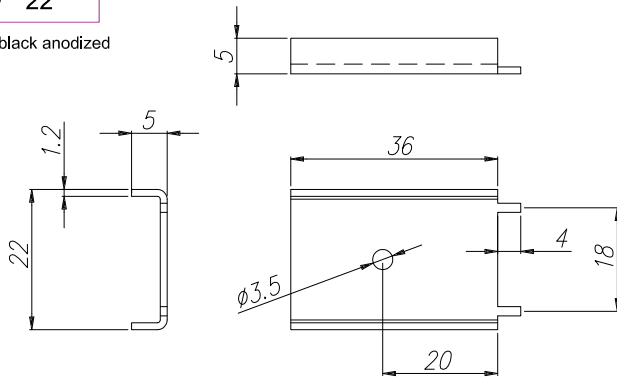
D



ST - TEN22

Rt °C/W 22

Aluminium, black anodized

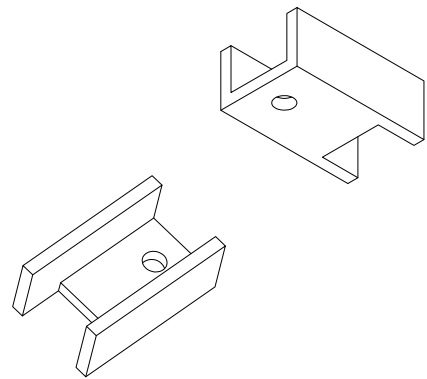
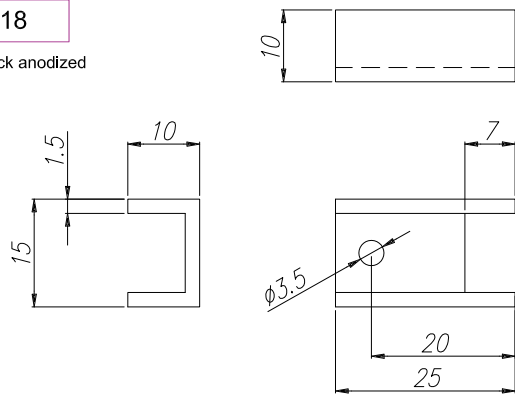


A

ST - TEN24A

Rt °C/W 18

Aluminium, black anodized

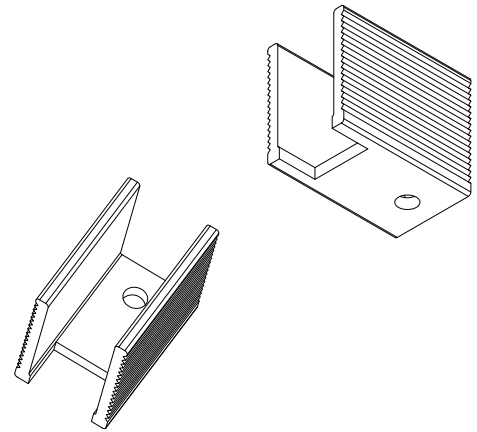
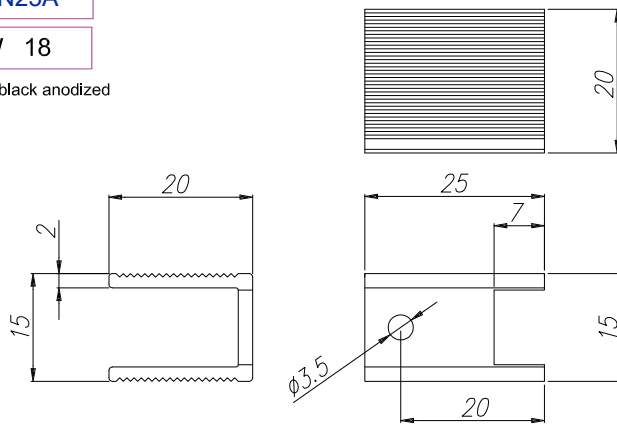


B

ST - TEN25A

Rt °C/W 18

Aluminium, black anodized

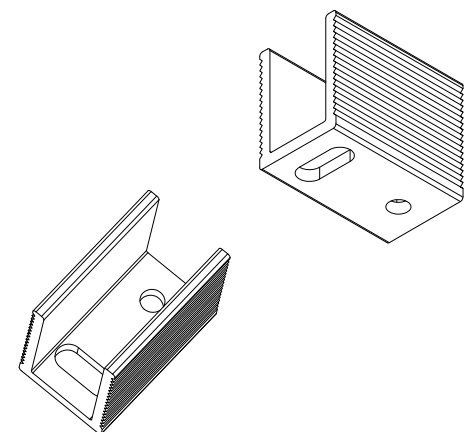
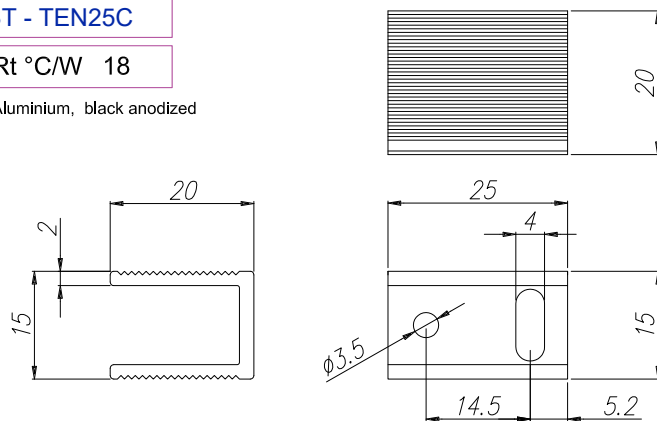


C

ST - TEN25C

Rt °C/W 18

Aluminium, black anodized



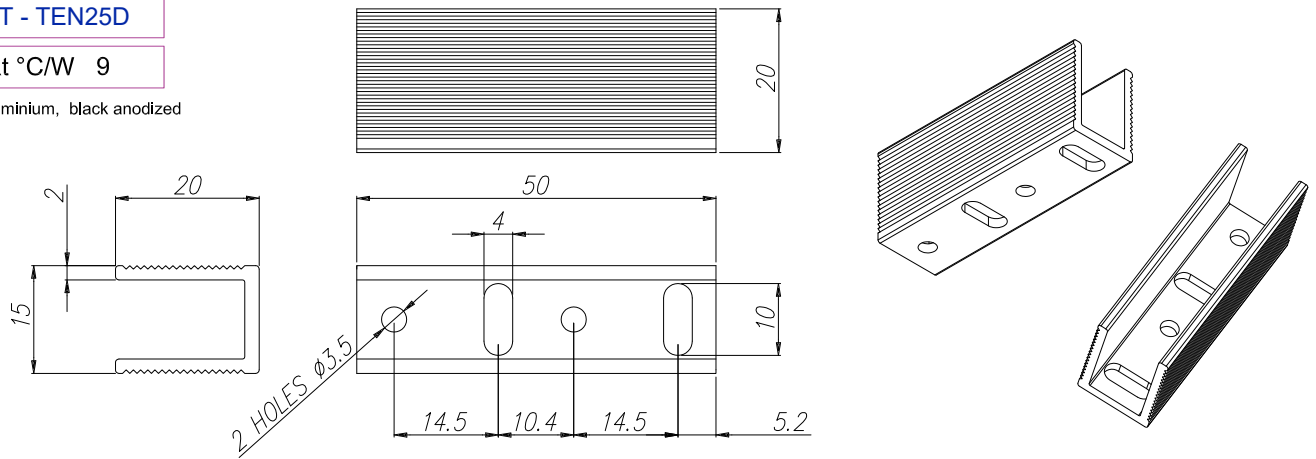
D

ST - TEN25D

Rt °C/W 9

Aluminium, black anodized

A

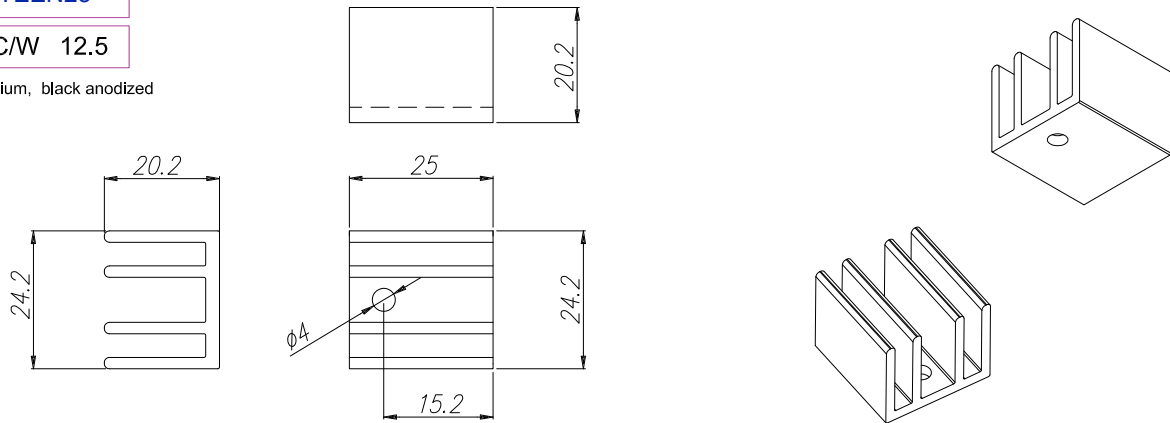


ST - TEEN25

Rt °C/W 12.5

Aluminium, black anodized

B

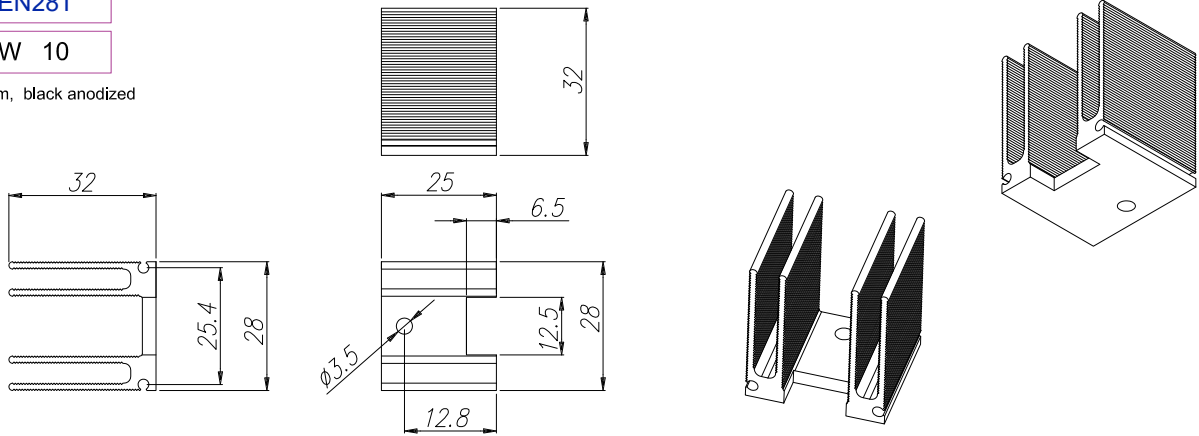


ST - TEN28T

Rt °C/W 10

Aluminium, black anodized

C

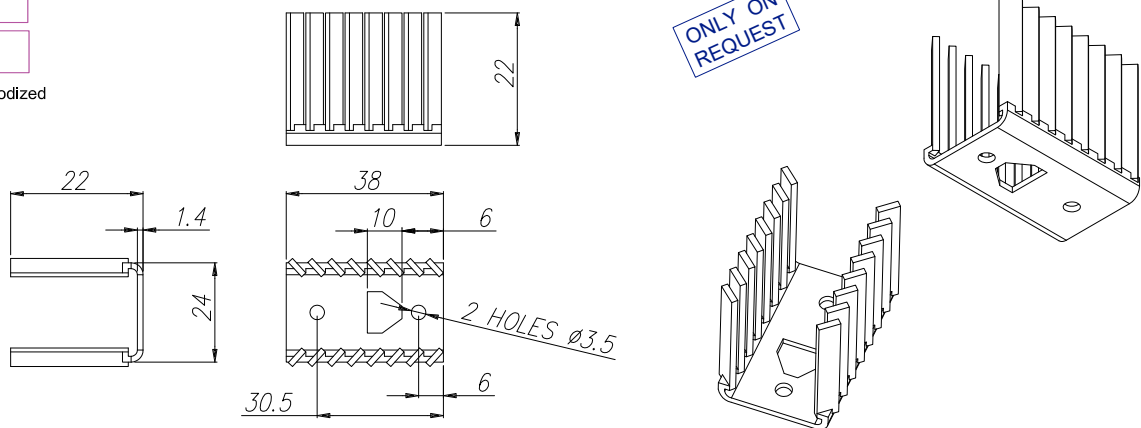


ST - TEAN28

Rt °C/W 15

Aluminium, black anodized

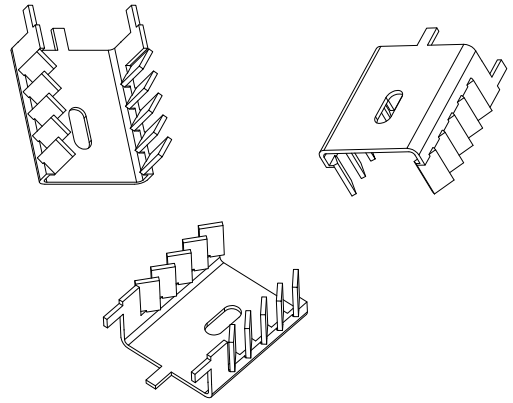
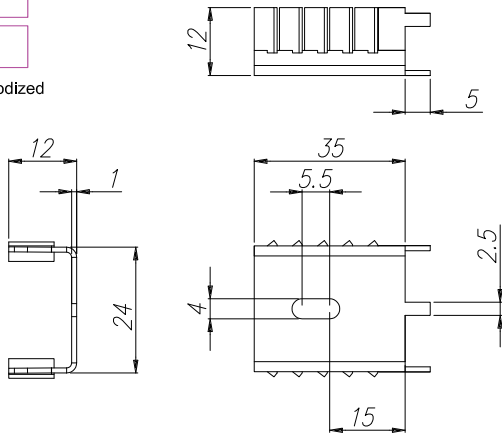
D



ST - TEEN28

Rt °C/W 14

Aluminium, black anodized

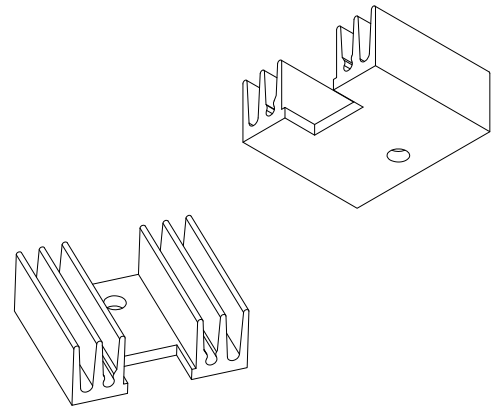
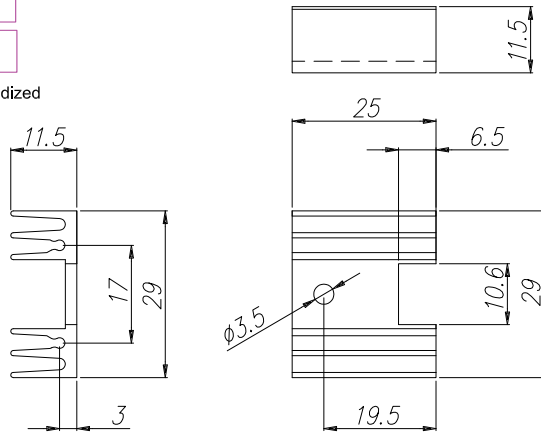


A

ST - TEN29

Rt °C/W 17

Aluminium, black anodized

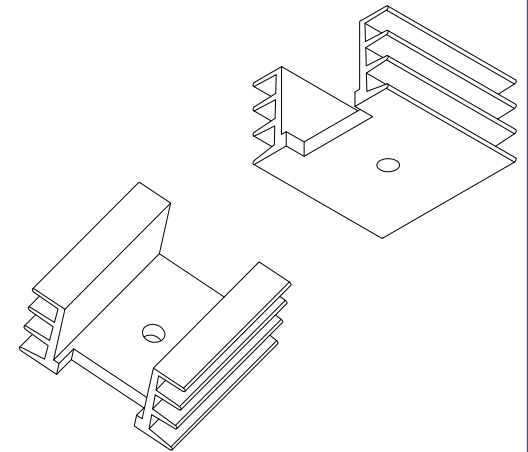
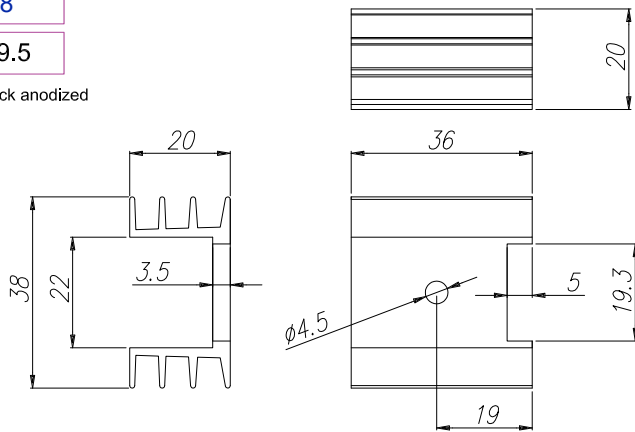


B

ST - TEN38

Rt °C/W 9.5

Aluminium, black anodized

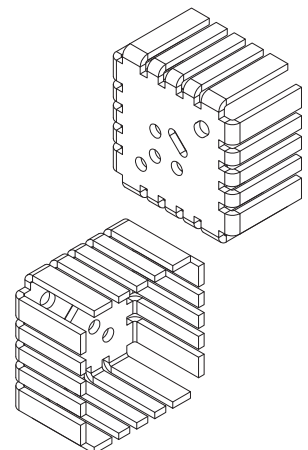
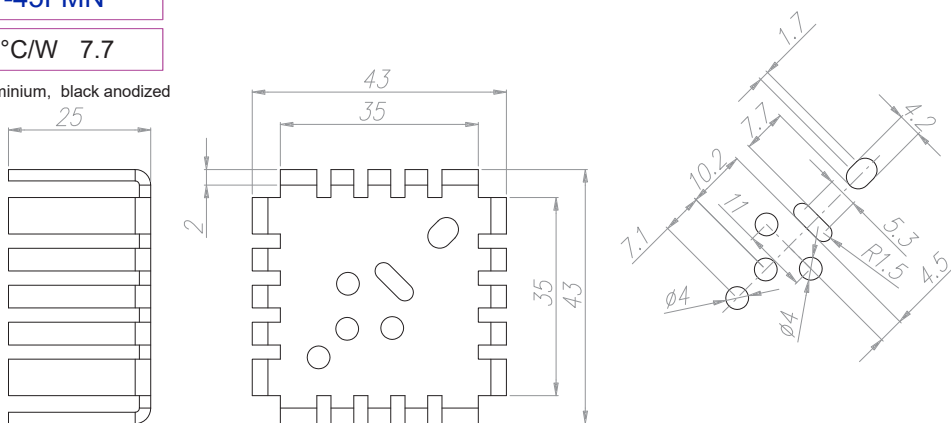


C

ST-45FMN

Rt °C/W 7.7

Aluminium, black anodized



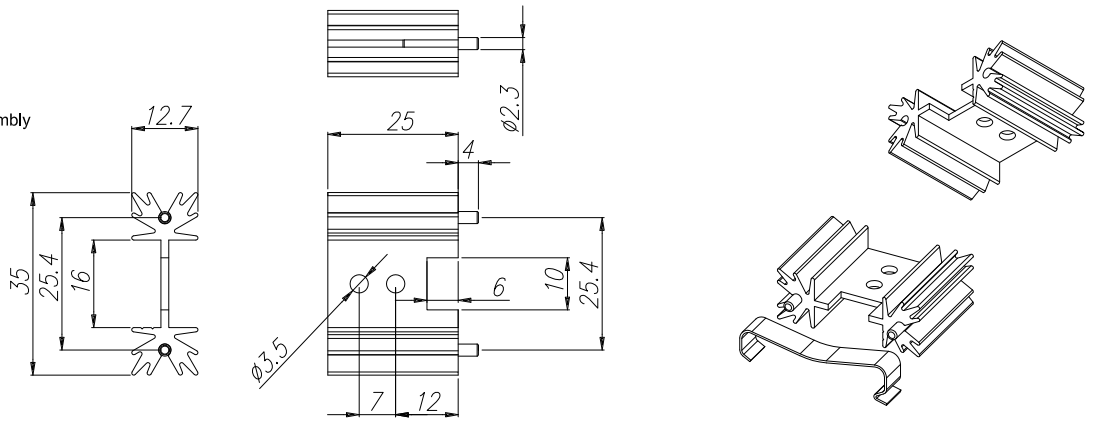
D

ST - TEAN35/25

Rt °C/W 14

Aluminium, black anodized
Available with pins for PCB assembly

A

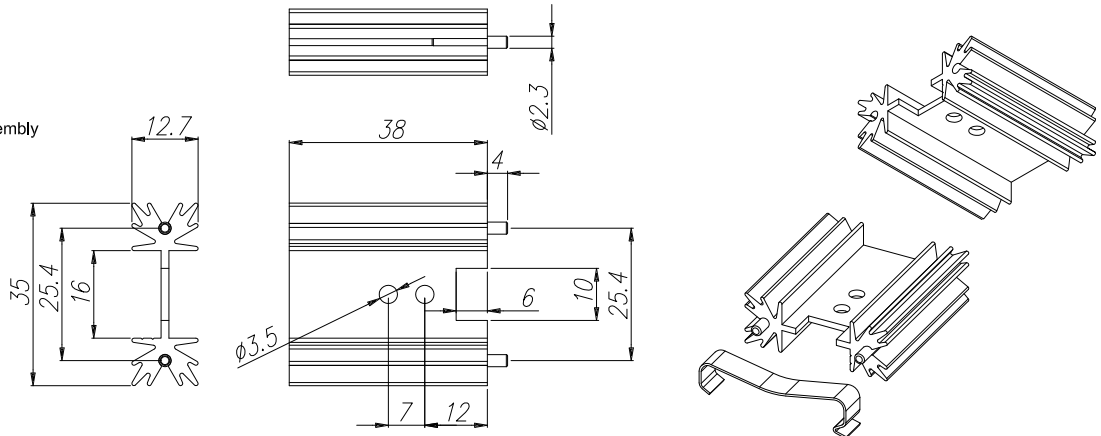


ST - TEAN35/38

Rt °C/W 11.5

Aluminium, black anodized
Available with pins for PCB assembly

B

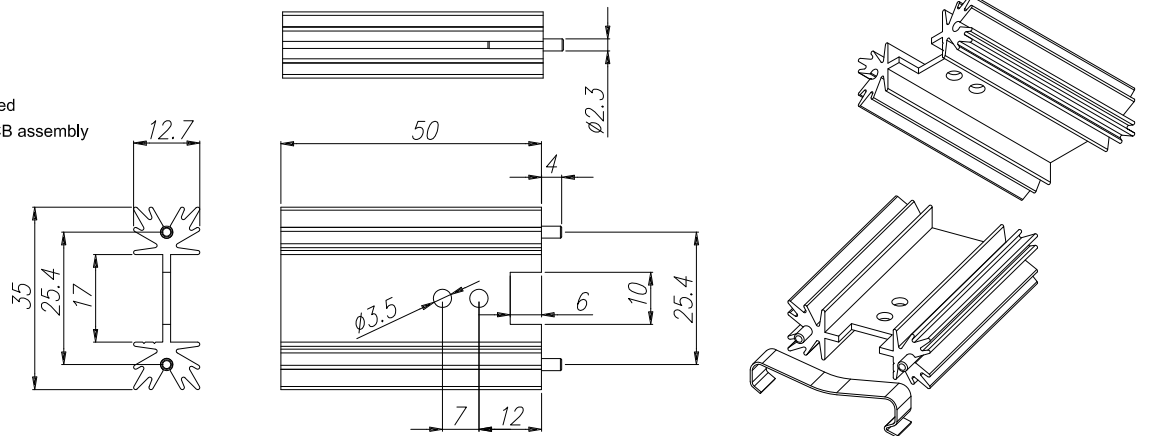


ST - TEAN35/50

Rt °C/W 8.5

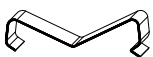
Aluminium, black anodized
Available with pins for PCB assembly

C



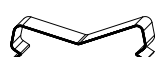
SPRING CLIPS

SPRING CLIP TEAN35



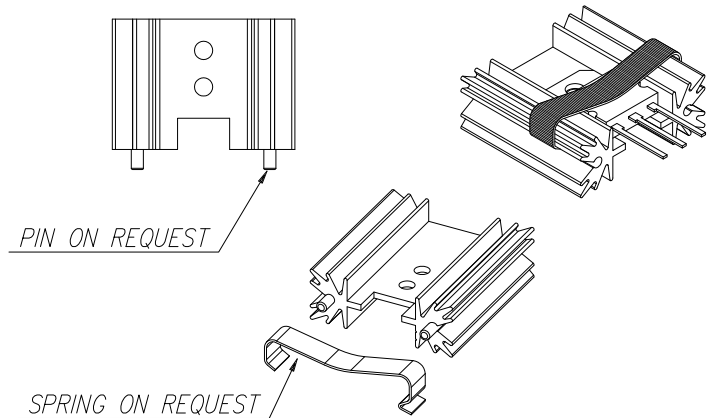
Material: Stainless Steel

SPRING CLIP TEAN35A



Material: Nickel Plated Spring Steel

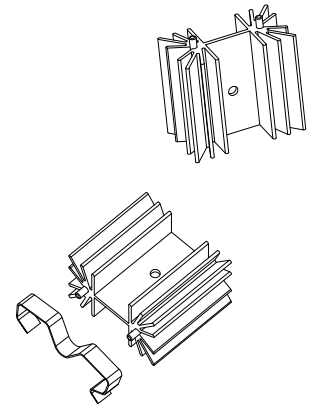
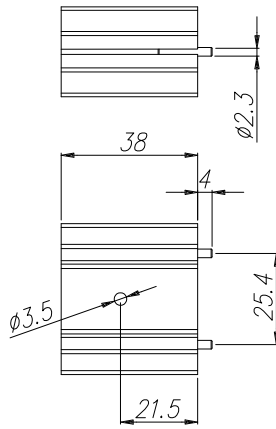
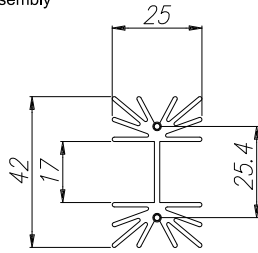
D



ST - TEAN40/38

Rt °C/W 8

Aluminium, black anodized
Available with pins for PCB assembly

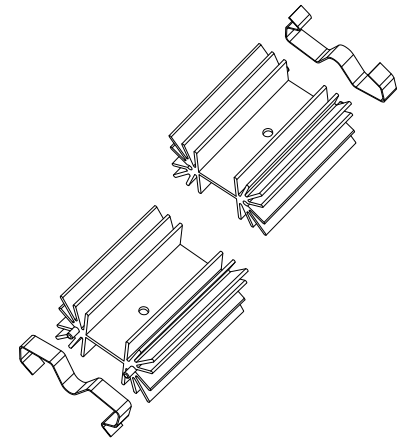
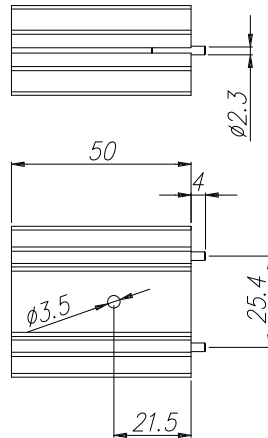
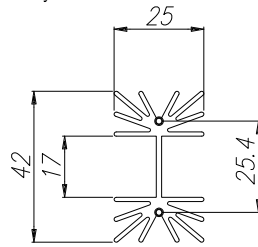


A

ST - TEAN40/50

Rt °C/W 6

Aluminium, black anodized
Available with pins for PCB assembly

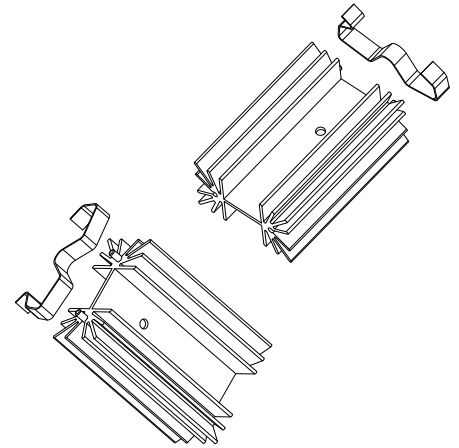
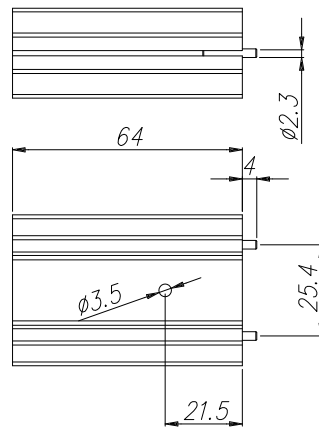
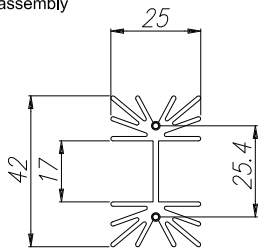


B

ST - TEAN40/64

Rt °C/W 5

Aluminium, black anodized
Available with pins for PCB assembly



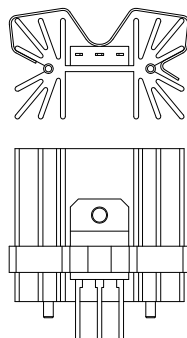
C

SPRING CLIPS

SPRING CLIP TEAN40



Material: Nickel Plated
Spring Steel



SPRING ON REQUEST

PIN ON REQUEST

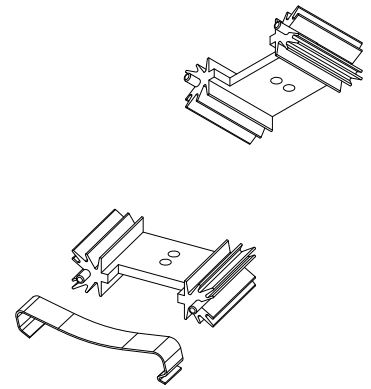
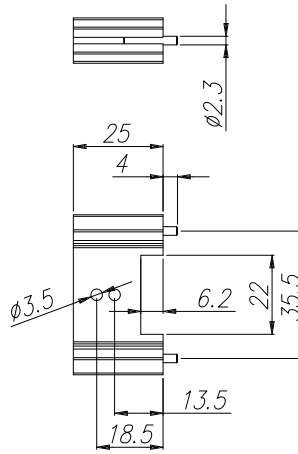
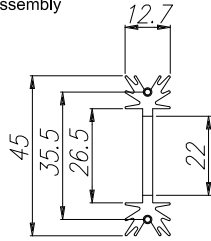
D

ST - TEA45/25

Rt °C/W 8.2

Aluminium, black anodized
Available with pins for PCB assembly

A

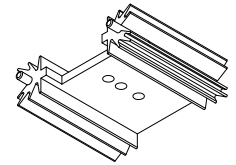
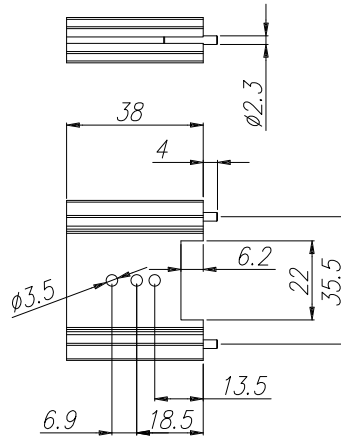
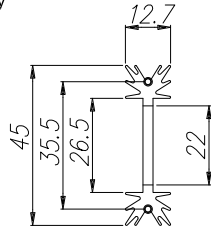


ST - TEA45/38

Rt °C/W 7

Aluminium, black anodized
Available with pins for PCB assembly

B

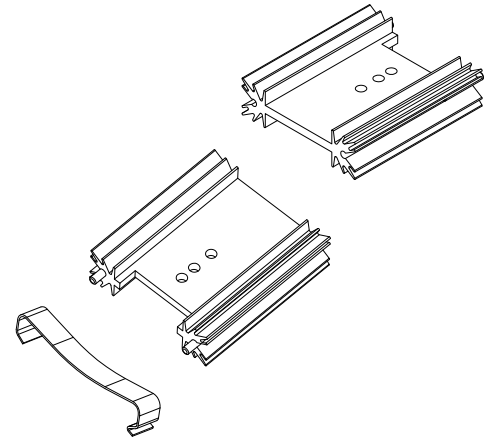
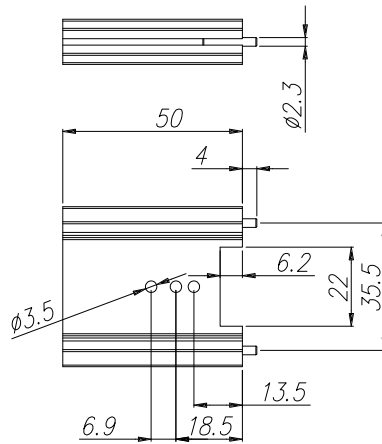
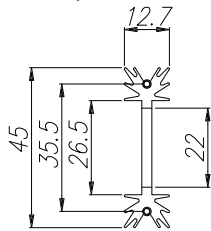


ST - TEA45/50

Rt °C/W 6.2

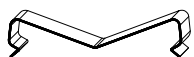
Aluminium, black anodized
Available with pins for PCB assembly

C



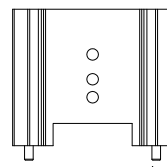
SPRING CLIPS

SPRING CLIP TEAN45

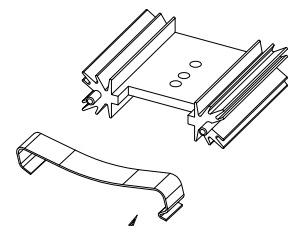


Material: Stainless Steel

D



PIN ON REQUEST



SPRING ON REQUEST